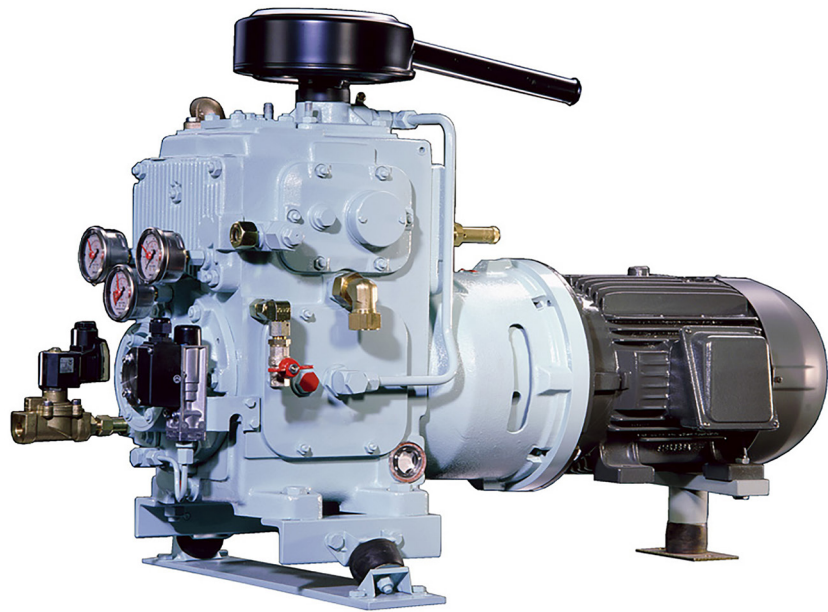


Compressor

MacGregor Water-cooled piston compressor W30, W40



Structural features

- Two staged, vertical construction with two-throw crankshaft, trunk pistons, exchangeable, dry cylinder liners

Valves

- Combining suction and pressure valves for both stages

Water cooling

Intercooler and aftercooler:

- Built-in tubular coolers

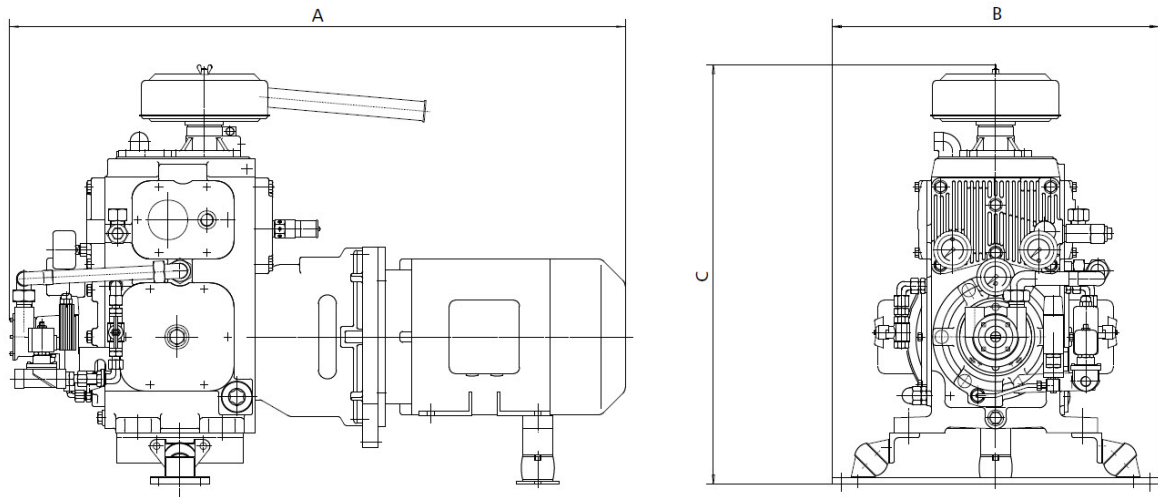
Force feed lubrication

- Gear pump directly driven by the crankshaft
- Oil pressure control by means of pressure gauge and pressure switch
- Oil level inspection glass

Bearings

- Crankshaft (pump): slide bearings
- Crankshaft (flywheel): roller bearings
- Connection rod: slide bearings
- Wrist pin 1st stage: slide bearings
- Wrist pin 2nd stage: needle roller bearings

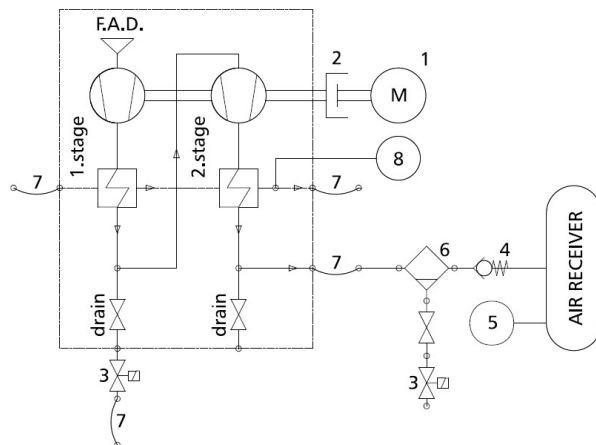
Technical data



Type	Cylinders	Stage	Speed r.p.m.	F.A.D m ³ /h	Power kW	Weight incl. e-motor approx. kg	Dimensions		
							A	B	C
W30	2	2	1150	23.2	4.8	230	980	545	700
			1450	28.7	6.1	230	980	545	700
			1750	33.5	7.5	230	980	545	700
W40	2	2	1150	31	6.3	260	1055	545	700
			1450	38.5	8.2	230	980	545	700
			1750	47	10	230	980	545	700

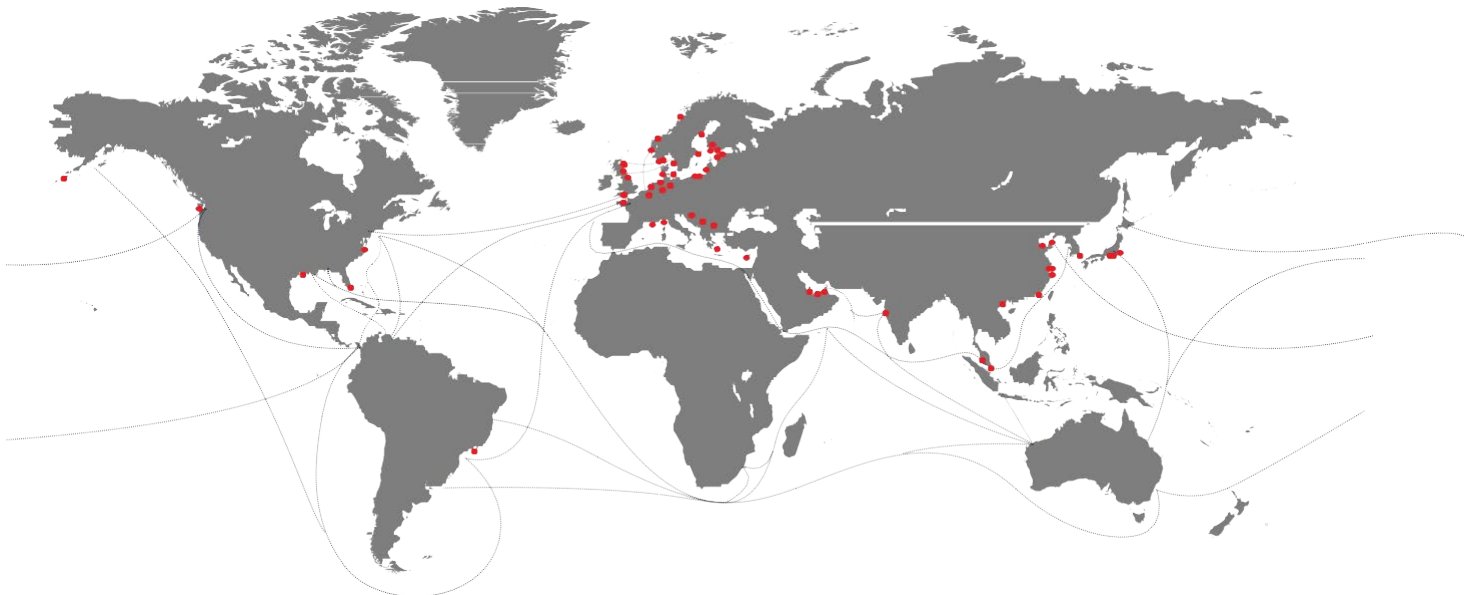
All data apply to a final pressure of 30 bar. The right for alteration of specification and data to incorporate improvements in design is reserved.

- Motor ①
- Flywheel and coupling ②
- Solenoid valve for draining ③
- Non-return valve ④
- Pressure switch ⑤
- Oil and water separator ⑥
- Flexible hoses ⑦
- Cooling water temperature control switch ⑧



Wherever needed, you can rely on our support.
We serve our customers globally:

- Ankerløkken Marine
- Allset
- ASCA
- Becker
- BMH
- Conver-OSR
- Grampian Hydraulics
- Flintstone
- Greer Marine
- Hamworthy
- Hatlapa
- Hydramarine
- Hägglunds
- Interschalt
- KGW
- KYB - ASCA
- KYB - Kayaba Industries / Navire Cargo Gear
- Luezhoe
- MacGregor
- MacGregor-Conver
- MacGregor-Hägglunds
- MacGregor-Kayaba
- MacGregor-Navire
- Navire Cargo Gear
- NMF
- Nordströms
- Ozean Service & Reparatur
- Platform Crane Services (PCS)
- Plimsoll
- Pusnes
- Porsgrunn
- Rapp
- Triplex
- TTS
- Vestnorsk Hydraulikkservice (VNH)



MacGregor is a leader in sustainable maritime cargo and load handling with a strong portfolio of products, services and solutions, all designed to perform with the sea.

Shipbuilders, shipowners and operators are able to optimise the lifetime profitability, safety, reliability and environmental sustainability of their operations by working in close cooperation with MacGregor.

MacGregor is part of Cargotec (Nasdaq Helsinki: CGCBV).

Published by MacGregor. Copyright © MacGregor May 2024. All rights reserved. No part of this publication may be reproduced, stored, photocopied, recorded or transmitted without permission of the copyright owner.

