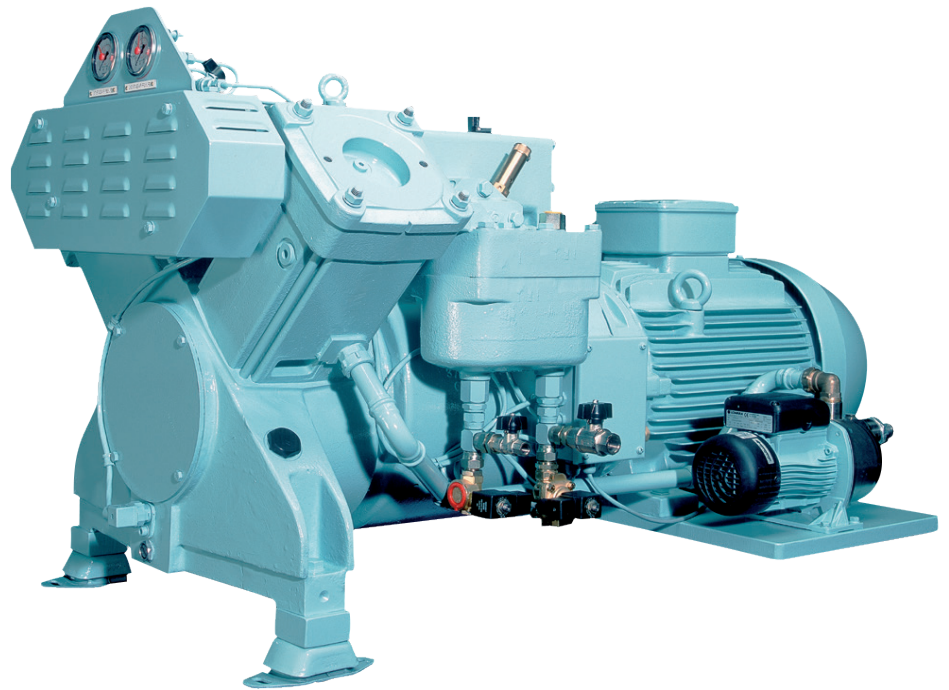


Compressor

HATLAPA Water-cooled piston compressor V105, V150, V200, V250, V375



Structural features

- Two cylinders, two stage single acting 90° V-configuration machine, with a single throw crankshaft

Valves

- State of the art concentric valves with combined suction and delivery for both stages

Water cooling

- Fresh water cooling, optionally fitted with water circulation pump

Intercooler and aftercooler

- High efficiency built-in tubular interstage and aftercooler, integral 1st and 2nd stage high efficiency oil and water separator

Unloader

- 1st and 2nd stage solenoid drain / unloading valves

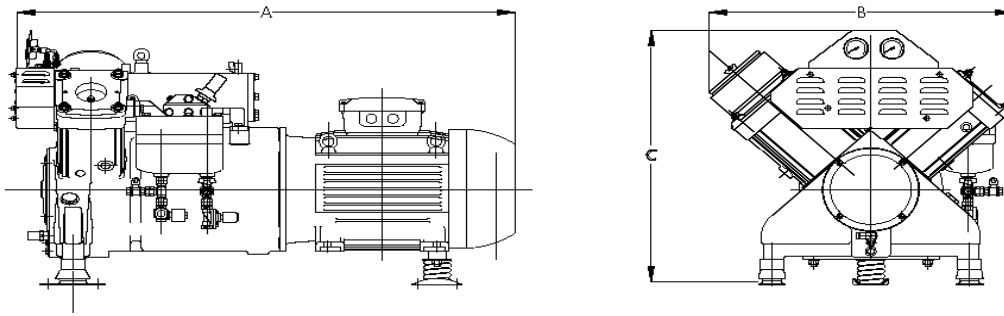
Lubrication

- Splash lubrication system (V105, V150, V375)
- Force feed lubrication system (V200, V250)

Bearings

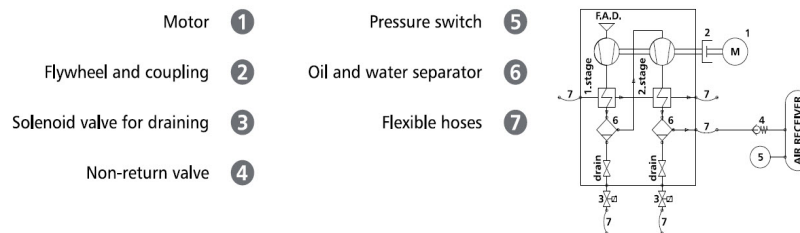
- Small end connecting rod bearings:
 - Needle type both stages
- Crankshaft:
 - Taper roller bearings (V105, V150, V375)
 - Slide bearings (V200, V250)
- Big end connecting rod bearings:
 - Cylindrical roller bearings both stages (V105, V150, V375)
 - Slide bearings (V200, V250)

Technical data



Type	Cylinders	Stage	Speed r.p.m.	F.A.D m ³ /h	Power kW	Weight incl. e-motor approx. kg	Dimensions		
							A	B	C
V105	2	2	1000	55	13	620	1310	840	676
			1200	70	15.5	620	1310	840	676
			1500	85	20	620	1310	840	676
			1800	105	22	620	1310	840	676
V150	2	2	1000	80	18	650	1335	840	755
			1200	100	20	650	1335	840	755
			1500	120	27	650	1335	840	755
			1800	150	30	650	1335	840	755
V200	2	2	1000	110	19.2	1100	1635	1065	990
			1200	132	23.6	1100	1635	1065	990
			1500	166	31	1100	1635	1065	990
			1800	200	38.7	1100	1635	1065	990
V250	2	2	1000	137	25	1100	1635	1065	990
			1200	165	31	1100	1635	1065	990
			1500	206	41	1100	1635	1065	990
			1800	245	50	1100	1635	1065	990
V375	2	2	1000	210	38	1460	1755	1160	1054
			1200	250	49	1460	1755	1160	1054
			1500	310	58	1460	1755	1160	1054
			1800	375	73	1460	1755	1160	1054

All data apply to a final pressure of 30 bar. The right for alteration of specification and data to incorporate improvements in design is reserved.



MacGregor shapes the offshore and marine industries by offering world-leading engineering solutions and services with a strong portfolio of MacGregor, Hatlapa, Porsgrunn, Pusnes and Triplex brands.

MacGregor is part of Cargotec (Nasdaq Helsinki: CGCBV).

Published by MacGregor. Copyright © MacGregor October 2017. All rights reserved. No part of this publication may be reproduced, stored, photocopied, recorded or transmitted without permission of the copyright owner.

MacGregor Germany GmbH & Co. KG

hatlapa.info@macgregor.com

www.macgregor.com

